

VG SOLAR



C30 Metal Roof Solution

Smart Structure

Strong And Low Cost System

Flexible For Pitched Roof

Metal Roof Solution

Metal Roof Solution



VG Solar
Solar Mounting System

VG SOLAR

Metal Roof Products

Perfect solution for Metal roof, trapezoidal and corrugated shape; Supporting panels landscape and portrait.

Advantages

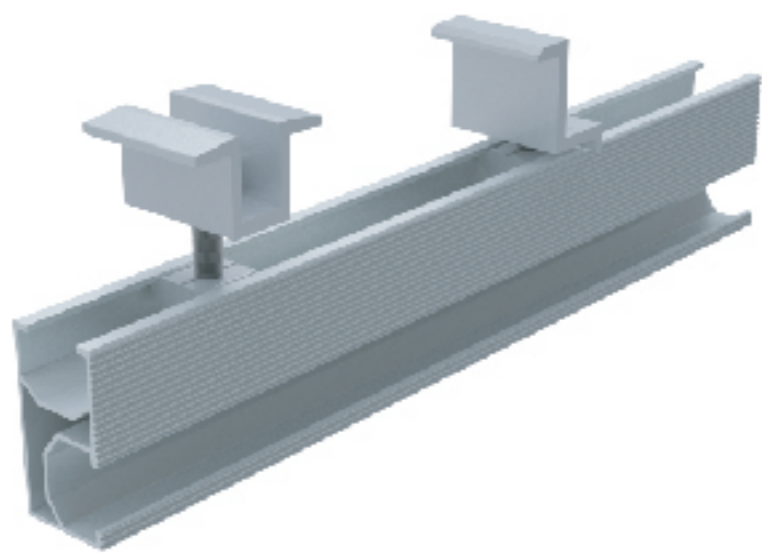
- High strength, suit for high load region.
- EPDM water-proofing screw-head protects the roof.
- Saving plenty of installation time and labor cost.

Tech data

Roof pitch: 0°-60°
Wind load: up to 60m/s
Snow load: up to 1.8KN/M²

Certification

MCS
AS/NZS1170
CE
ISO



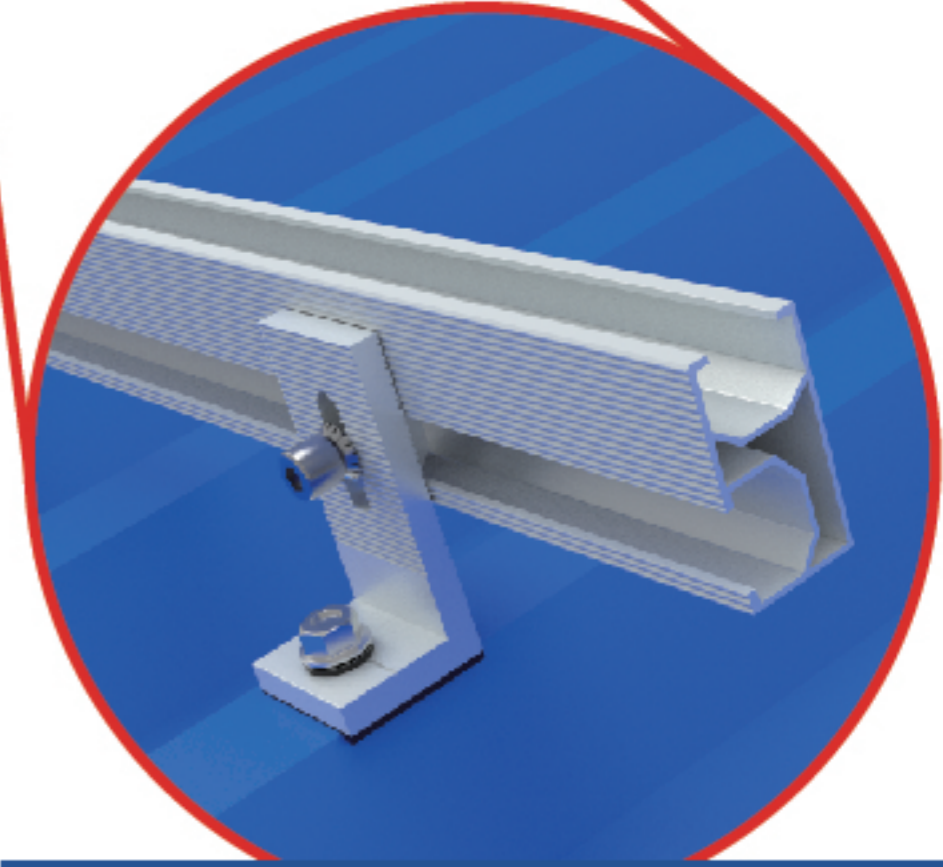
Rail With Clamps



Mid Clamp



End Clamp



Detail In Side View



L feet

